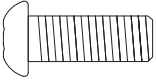
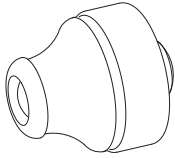
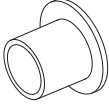



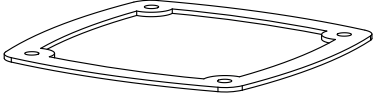
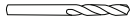
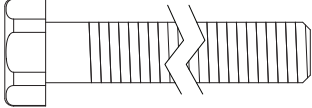


Parts List			Tools Required	
M6x16mm x4  60617	Cable Grommet x2  101819	M8 Nylon Insulator x8  64000	 Hole Saw ø50-52mm (2")	 Power drill
Blanking Plug x1  101816	Foam Seal x1  19020		 ø8.5mm (21/64") Drill Bit	
			Parts Required	
			 M8 x 25mm+	x4

