

## MOUNTING KIT # HA5476

### BayStar Helm – Round Bezel Back Mount

- Prior to drilling any holes, confirm that once installed the helm pump and/or steering wheel will not interfere with any other functional equipment. Check behind the dashboard for complete clearance before drilling.
- Tape Template (page 2) to the dashboard.
- Before drilling any holes, double check behind dash to confirm that you will not be drilling into any other equipment.
- Using the template provided, drill the 4-3/8" diameter center hole and the four 5/16" diameter mounting holes.

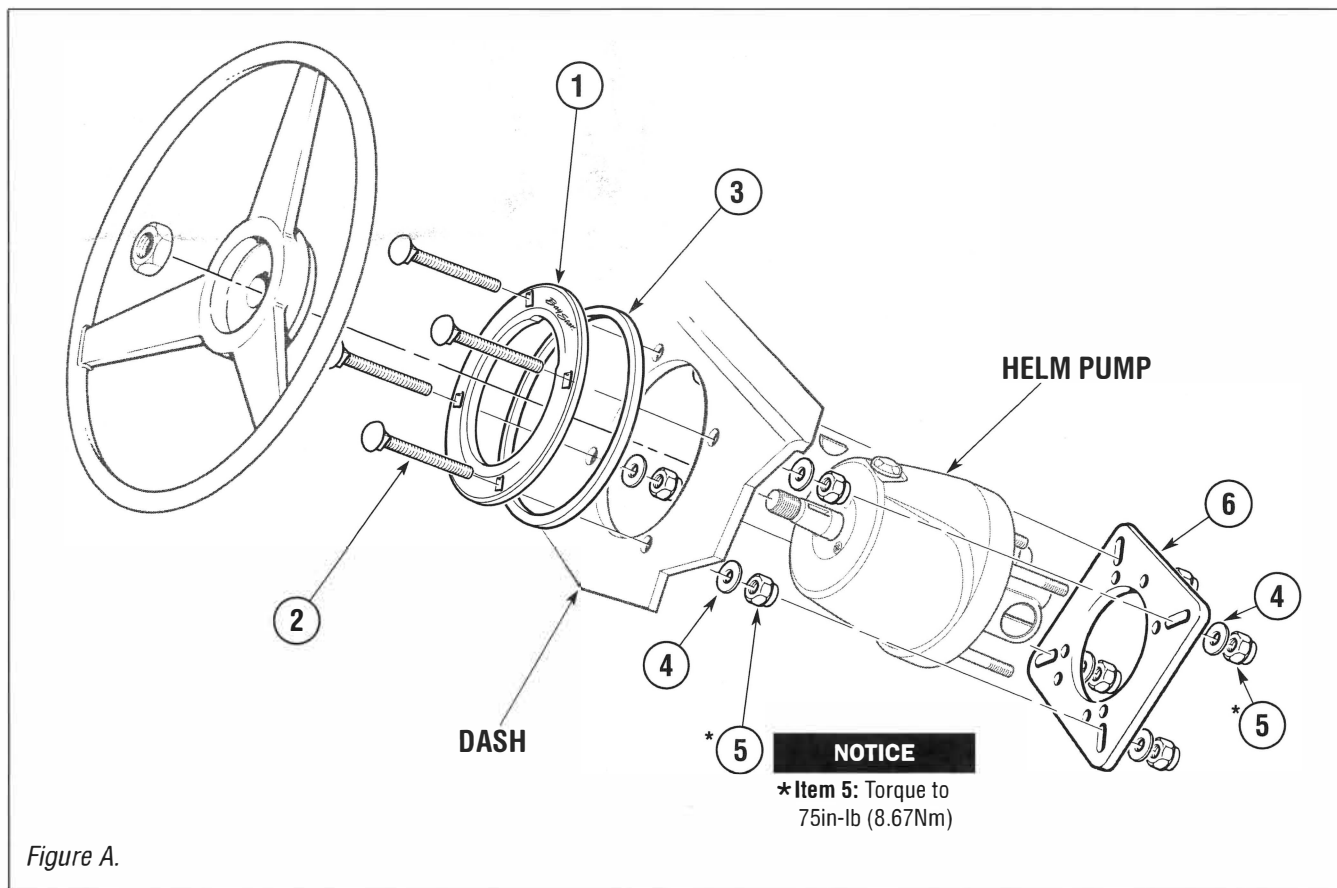
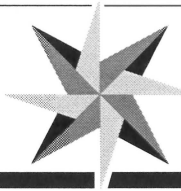


Figure A.

ITEM	PART#	QTY	DESCRIPTION
1	790890	1	Mounting Bezel
2	176223	4	Carriage Bolts 1/4" x 4"
3	784261	1	Rubber Seal
4	067528	8	Washer 1/4" Flat

ITEM	PART#	QTY	DESCRIPTION
*5	067424	8	Locking Nut 1/4" NC (Refer to Notice above.)
6	764233	1	Anchor Plate



## MOUNTING KIT # HA5476

### BayStar Helm – Round Bezel Back Mount

#### **⚠ WARNING**

**DO NOT attempt to install this helm without first reading the helm installation instructions provided with the helm. If installation instructions are missing, contact SeaStar Solutions for a new copy. Failing to comply may result in loss of steering causing property damage and/or personal injury.**

- Assemble the mounting bezel (item 1) with the "BayStar Logo" in the top position with the carriage bolts (item 4) and the locking nuts (item 5) according to the figure 1 on page 1.
- Insert the helm pump from behind the dash and through the hole. Secure using the anchor plate (item 6) and the remaining four nuts (item 5). Torque to 75 in. lb. (8.67 Nm).

