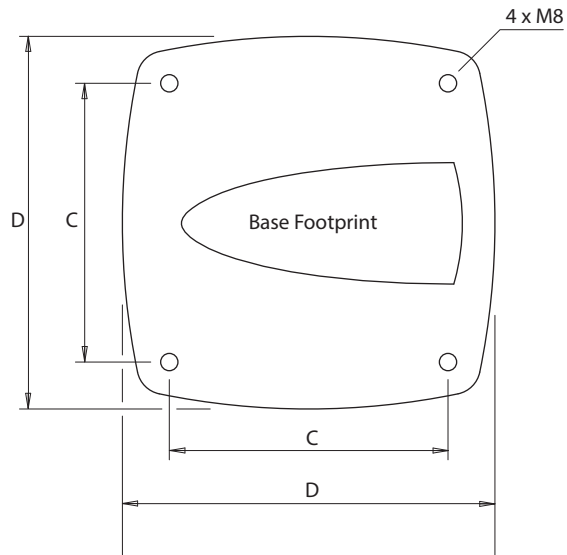
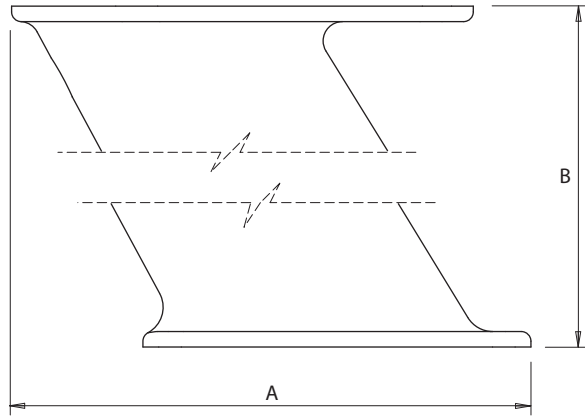


Composite PowerTower®

Email: sales@scanstrut.com Email: usasales@scanstrut.com
 Tel UK: +44 (0) 1392 531280 Tel USA: (860) 308-1416, option 2



	A mm / inches	B mm / inches	C mm / inches	D mm / inches
PT2001	370/14.6	350/13.8	150/5.9	200/7.9
PT2002	370/14.6	350/13.8	150/5.9	200/7.9
PT2004	268/10.5	158/6.2	150/5.9	200/7.9
PT2005	278/11	158/6.2	150/5.9	200/7.9

All Composite PT's are 30° aft leaning



SCANSTRUT