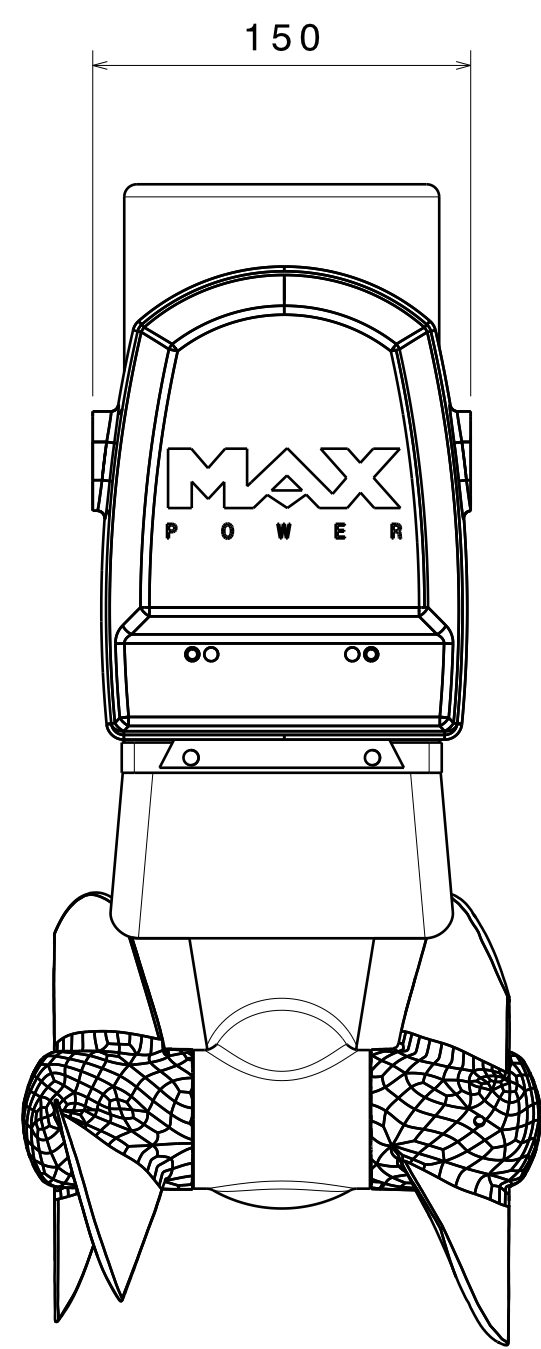
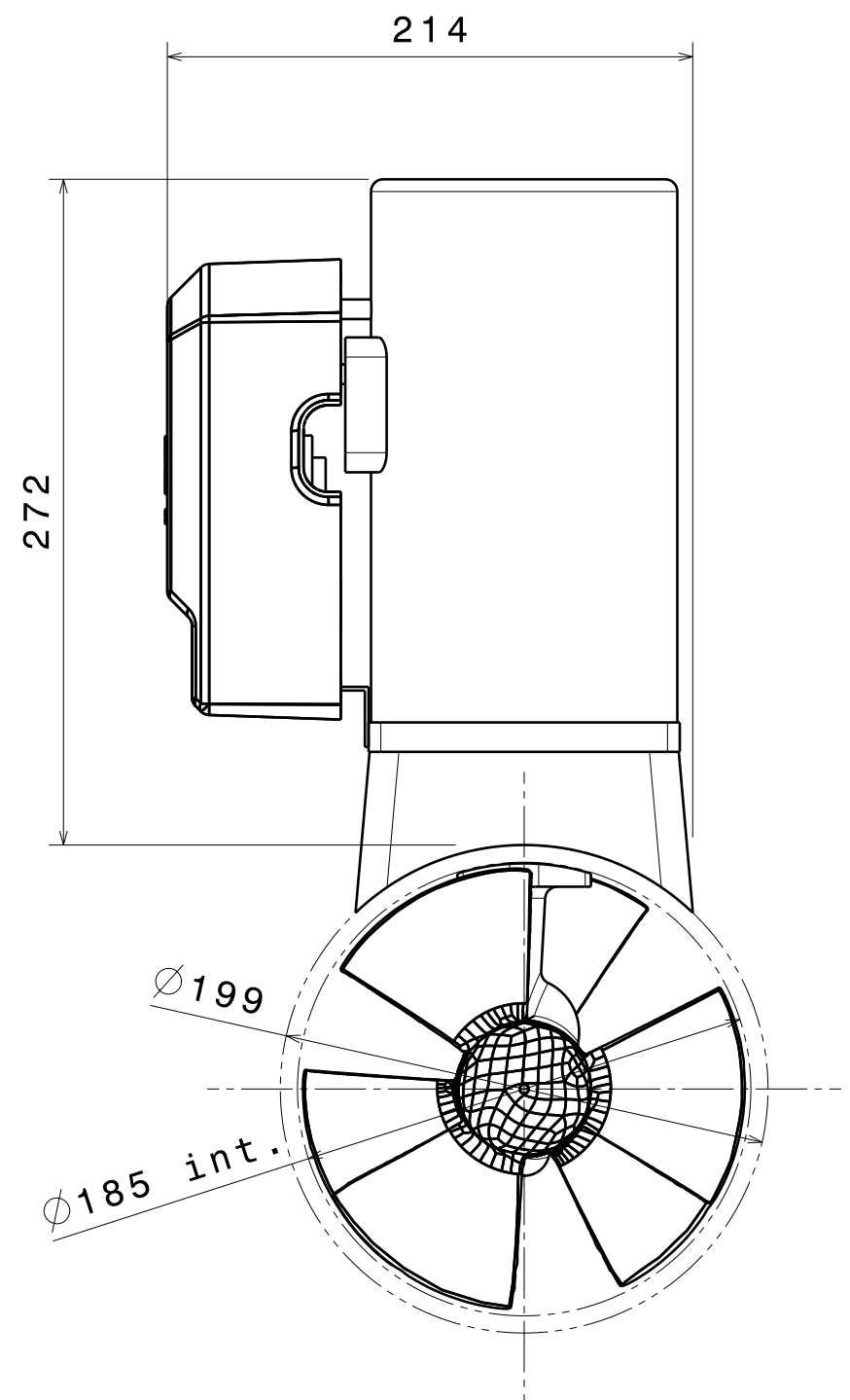


H G F E D C B A



EN CAS DE DOUTE, MERCI DE NOUS CONTACTER
IN CASE OF DOUBT, PLEASE ASK

NOTA :
Dimensions exprimées en mm
Profondeur minimale d'immersion : un diamètre de turbine sous la ligne de flottaison
! Attention aux modifications d'échelles lors de l'impression !

NOTES :
Dimensions in mm
Minimal immersion depth : one turbine diameter under the waterline
! Be careful to scales modifications when printing !

This drawing is our property. It can't be reproduced or communicated without our written agreement.		MAX POWER			
DRAWN BY PBE		DATE		DRAWING TITLE	
CHECKED BY XXX		DATE xxx		42532&42533-CT80 GENERAL DIMENSIONS	
DESIGNED BY XXX		DATE xxx		SIZE A3	DRAWING NUMBER XXX
		SCALE 1:3	WEIGHT(kg) 15.1	SHEET 1/1	REV A

H G B A