

**1852**

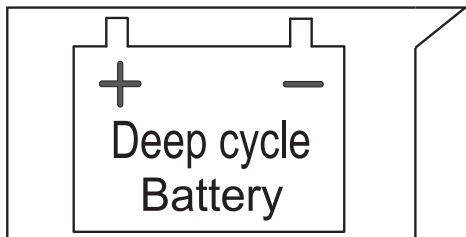
**MAR  
INEN  
QUA  
CITY**

**Instruction manual  
Ventura 5.0**

## Contents

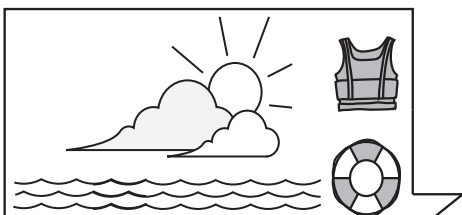
Product's features .....	01
Before the operation .....	02
<b>Installation</b>	
1. Installing the propeller .....	03
2. Mounting the trolling motor .....	04
3. Installing the steering wheel unit .....	04-05
4. Battery connection and power reader .....	05
5. Installing the speed controller .....	06
How to operate the motor .....	07-08
Trouble shooting and solving method .....	08-09
Maintenance .....	10
Specification .....	11
Electric circuit diagram .....	11
Packing List .....	12

## Before the operation



Please use deep cycle battery for your motor. Improper use of battery would cause damage to the motor.

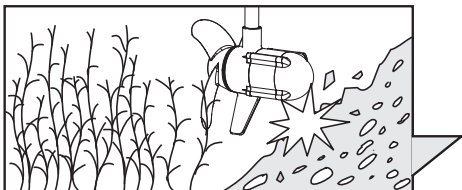
Make sure the motor is off during the onshore period.



Please make sure the motor is off (handle on neutral), before connecting the battery.

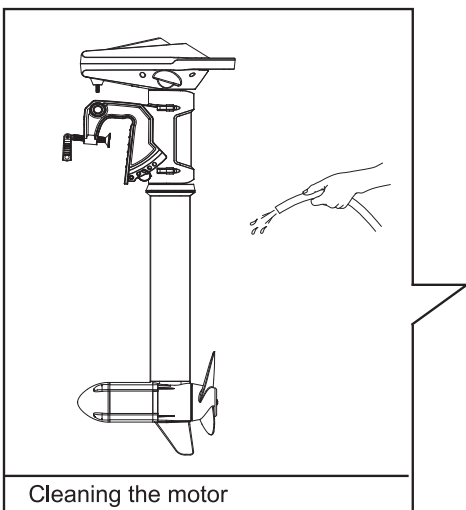
Personal life-jacket is needed at all time. And choose a good weather for your outdoor activity.

Weather condition



Turn the motor off (handle on neutral) to slow down the boat's speed. Tilting the motor to prevent impact when entering the shallow water area.

Beware the underwater condition



Beware of the swimmer and your surrounding during the operation.

Remove sundries from the propeller and wash off the motor, especially after the saltwater use.

**CAUTION**

IP65, IP68.

IP65 waterproof level for general.

IP68 waterproof level for the motor.

Cleaning the motor

## Installation

### 1. Installing the propeller



- 1 Make sure the motor is disconnected from the battery before installing or replacing the prop.

Install the drive pin into the shaft hole and align it with the propeller (The drive pin and the propeller groove must align horizontally).Once the propeller is in place install the Sacrificial Anode, stainless washer and nut into the shaft.(fig.1)

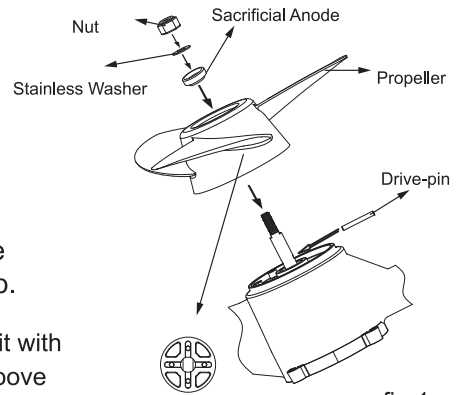


fig.1



Use the propeller wrench supplied or 8mm wrench for the installation.  
(The use of inappropriate tools may cause motor damage)

- 2 Hold the propeller to prevent it from revolving and use the propeller wrench to tighten the propeller nut.(fig.2)



If replace or detach the propeller.Please follow the above instruction steps and procedure it conversely.

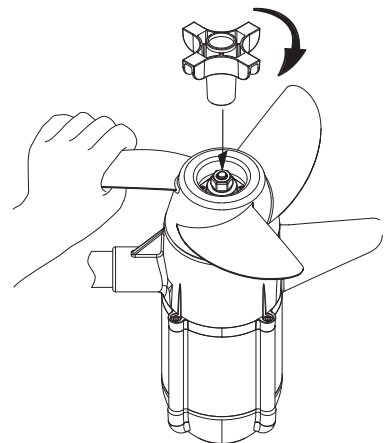


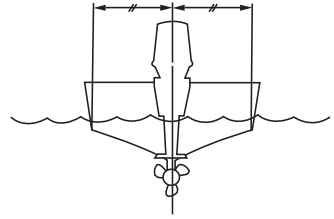
fig.2



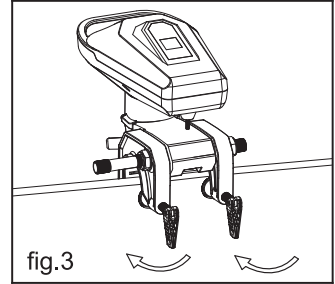
## 2. Mounting the trolling motor



Make sure the motor is battery disconnected during the mounting and dismantling or onshore period.

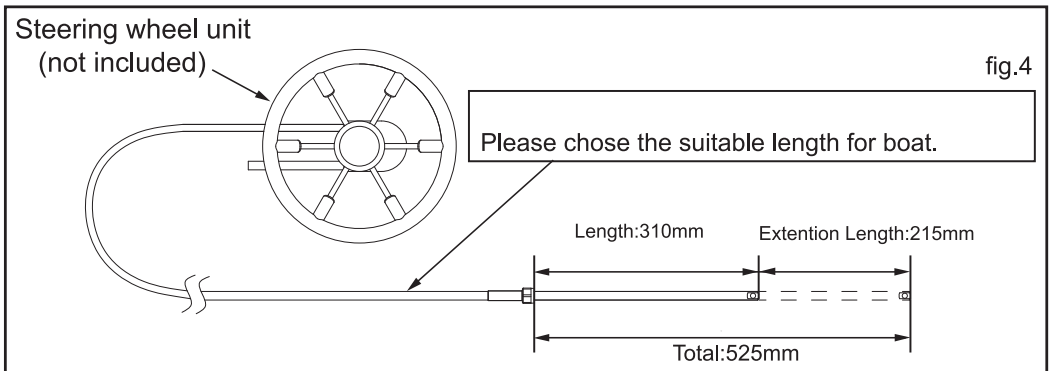


Mounting the trolling motor on the centerline of the boat, tighten the clamp screws.(fig.3)

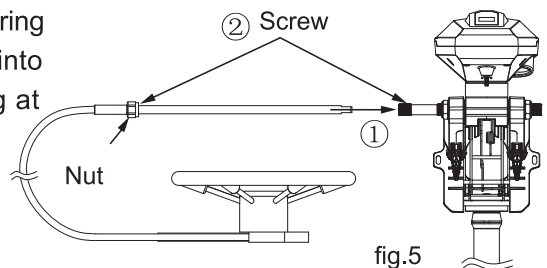


## 3. Installing the steering wheel unit

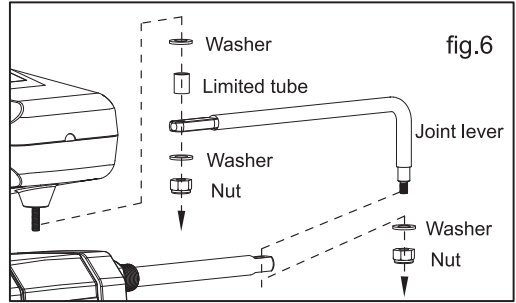
1 User need to by one steering wheel unit as pictured fig 4 for operating the motor.



2 Locate the proper spot to fix the steering wheel unit, insert the extension bar into the connecting tube of the steering at the motor, screw tight the nut.(fig.5)



- 3 Connect the extension bar of steering wheel unit and the motor with the included joint lever.(fig.6)



## 4. Battery connection and power reader

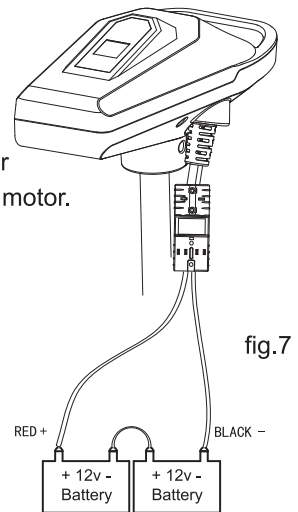
**WARNING** Make sure the motor is off (handle on neutral), while connecting the battery.

### 1 Battery connection

Select a compatible battery --- Please use deep cycle battery for your motor.Improper use of battery would cause damage to the motor.

Connecting the battery --- connect the red motor cable (+) to the positive battery terminal (+),black cable (-) to the negative terminal and fasten it.(fig.7)

Put the battery in a ventilated place.

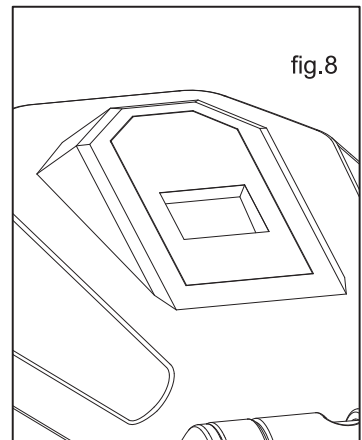


### 2 Power reader

The motor has a power reader (LCD) to display the current voltage of the battery level.

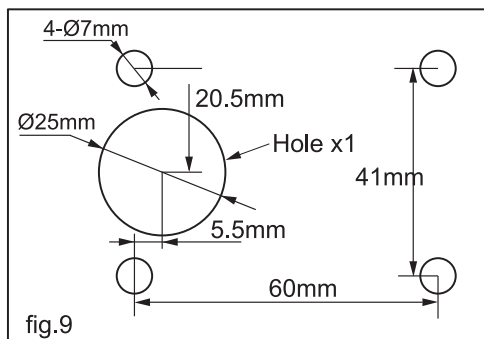
### CAUTION

When the voltage is over 31.8V,the motor will cease working under high voltage protection mode.When the voltage is below 19V,please charge the battery.When the voltage is below 15V, the motor will cease working under low voltage protection mode.

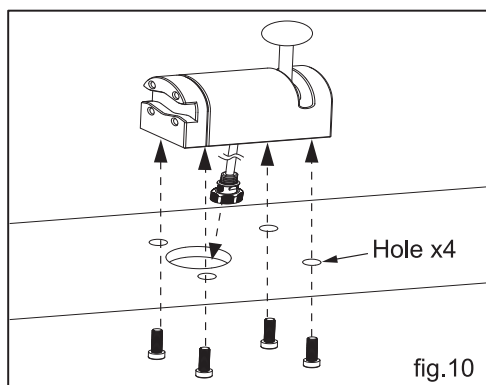


## 5. Installing the speed controller

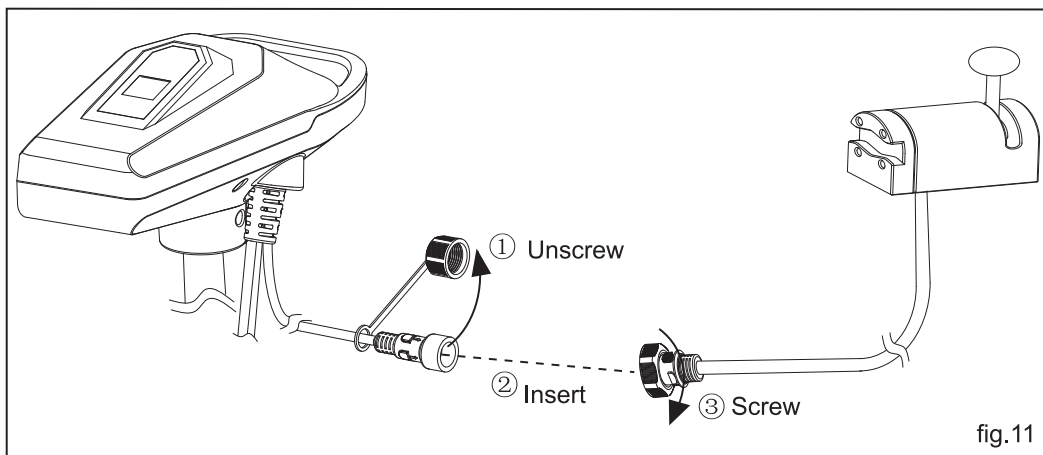
① Select proper positions for the 5 holes and drill them as pictured.(fig.9)



② Screw out the 4 screws from the bottom of speed controller, insert them through the holes to screw them tightly.(fig.10)



③ Unscrew the cover of cable connector on the motor①, insert it into the connector on speed controller②, then screw them tightly.(fig.11)



## How to operate the motor

### 1. Tilting the motor

Pull up the angle adjusting lever, tilt the motor to a proper angle (there are 3 moveable and 4 fixed angle positions on motor bracket) and release it. If you want to adjust back, push the lever down. (fig.12~14)

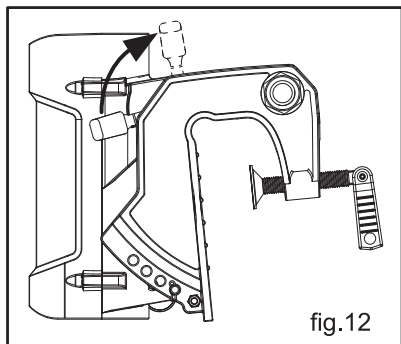


fig.12

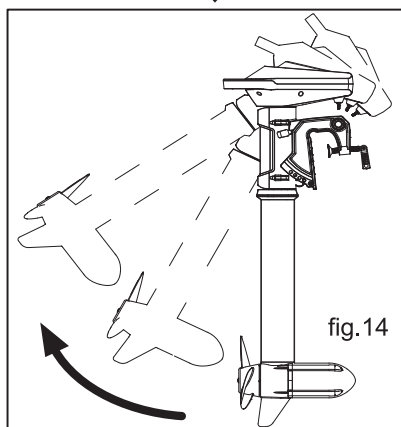


fig.14

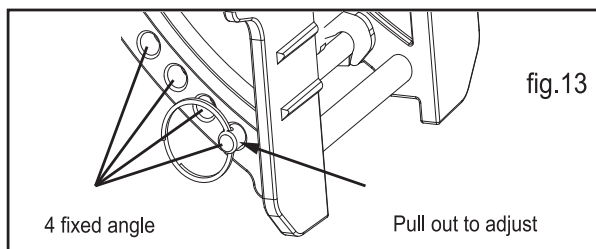


fig.13

4 fixed angle

Pull out to adjust

### 2. Speed control

The motor speed is stepless. There are Forward and Reverse scale marks and "0" middle mark on the speed controller. Motor stops when joystick point to "0" position, move joystick forward, motor will go forward, and max angle is 90°. Move joystick reverse, motor will go reverse, and max angle als is 90°, motor speed is proportional to the angle of joystick. (fig.15)

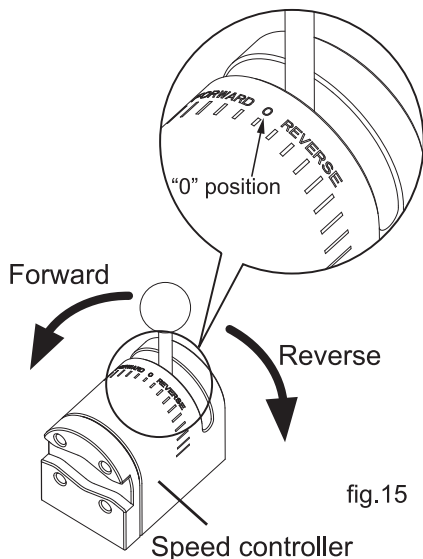
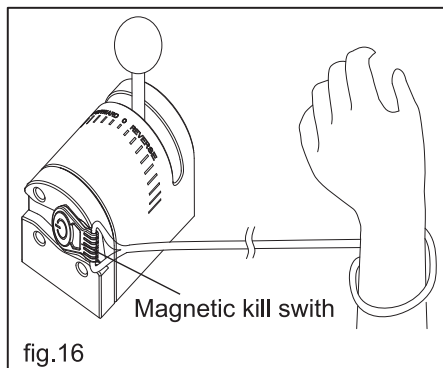


fig.15

Speed controller

### 3. About the magnetic kill switch

One magnetic kill switch is included. The speed level has to be "0" position. When starting the motor, please to make sure the magnetic kill switch is placed on the correct position of speed controller as pictured figure 16.

**WARNING**

Please tied the string of magnetic kill switch on the hand for your own safety.

## Trouble shooting and solving method

### 1. Motor fails to run or lack of power

Make sure the motor cable is connected properly.

Check if the cable terminals clean and corrosion free.

Make sure there is no fishing line or weeds caught up in the propeller. Please detach and clean up the propeller if there is sundries got caught inside the prop. (WARNING: Make sure the motor is disconnected from the battery)

### 2. Hard to steering

Check if the steering tension screw is loosened.

Clean the motor shaft and apply lubricant to the fasteners and turning parts.

Make sure the underwater condition is fine and nothing blocks the way.

### 3. Motor vibration

Make sure the propeller is installed properly.

Inspect the propeller and the drive pin conditions, replace it if necessary.

Disconnect the battery cable and examine it by turning the propeller manually, motor shall turn freely with a slight magnetic drag. Internal damage might occur if motor is blocked or locked. Stop use it and contact our customer service.

4.

### Operation error indication

The motor has an operation error indication function. Motor will automatically stop if operation errors occur, please inspect the following condition:

- ❶ If the power indicator doesn't light and the motor doesn't work, please check if the power cable being well connected. If all the power rate indicators don't light or only the red one lights, and the motor doesn't work, please check the voltage of the battery.
- ❷ There is a voltage protect function in this motor, when it is happened, the motor will not work.
- ❸ Make sure the control handle is on the neutral position, if not please turn it back to the neutral and then will restart the motor.
- ❹ The motor suddenly stops at it is current speed, turn the control handle to the neutral position then speed up the motor again. If the motor stop frequently, it means the propeller is blocked and lead to high current protection. Please check if the motor is overloaded or blocked by fishing line or weeds. If yes, please dismount the propeller and wash it.

---

## 5. Audio Pattern

AUDIO PATTERN TABLE

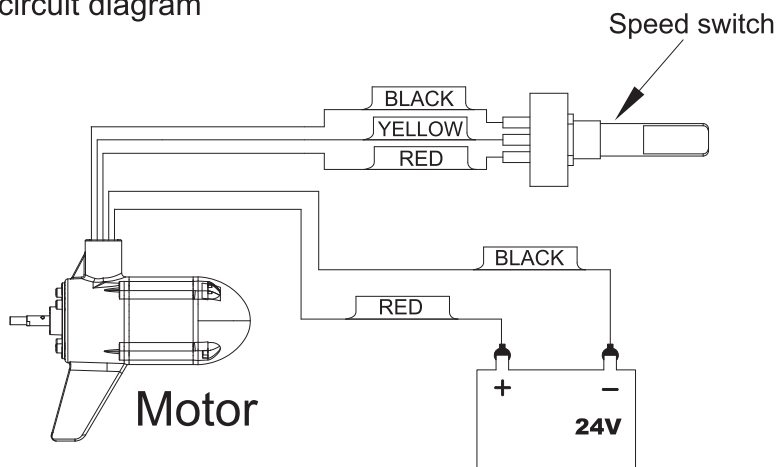
AUDIO PATTERN	CONDITION
3 beeps	System ready
Continuous short beep	<ul style="list-style-type: none"> <li>● High-voltage protection</li> <li>● low-voltage protection</li> <li>● system ready but throttle is not on neutral position</li> </ul>
Continuous "fast short" beep	Motor running on high (Amp) current condition
Continuous long beep	Motor stop operation, wait the throttle back to neutral position.

## Maintenance

1. Please wash and clean the motor and propeller intensively after use as per manual, caused by improper use of surface corrosion or damage to the motor is not covered by the warranty. (Refer to P.2)
2. Clean up all the sundries on or inside the propeller after every use. (Please see P.2 "cleaning the motor")
3. Apply lubricant to the turning parts regularly and use proper tool to fasten the parts.
4. Apply rust prevention to the cable and battery terminals after every use.
5. Store the motor in a good ventilated place and keep it dry.
6. To avoid hazards, do not use the motor in the intricate water.
7. Do not crash or put heavy things on top the motor.
8. This motor is designed for outdoor amusement only. Continuous long distance transport is not permitted.

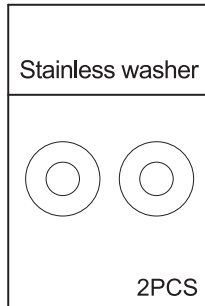
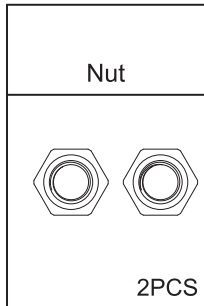
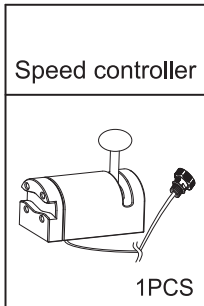
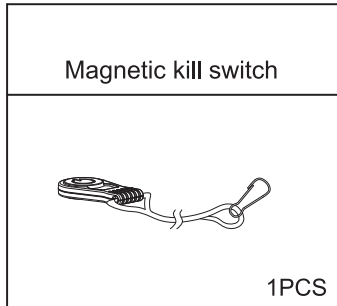
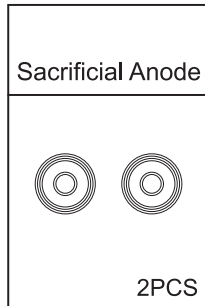
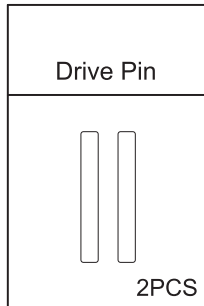
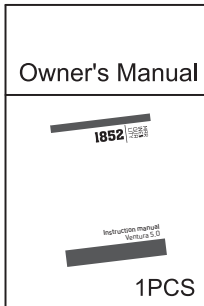
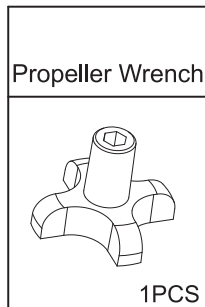
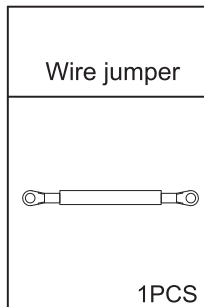
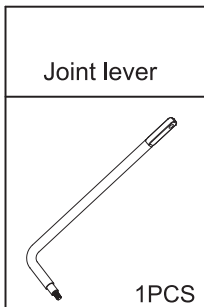
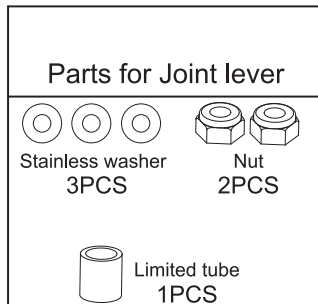
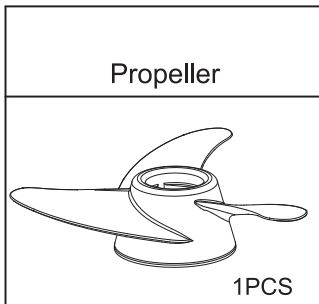
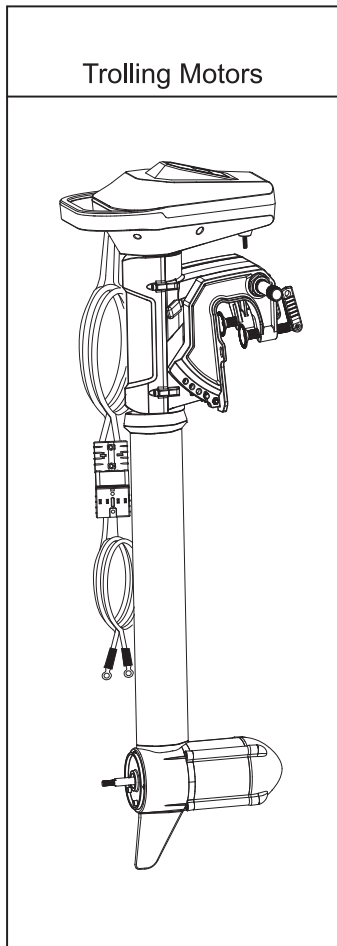
Parameter	Model	Ventura F 5.0
Voltage -Rated/Max		24V
Input Power Watts		2520W
Peak Thrust in Lbs		160LBS
Comparable Gasoline Outboards(Thrust)		6HP
Max Shaft Length		800mm
Control Type		Stepless Speed F/R
Driving Type		Steering wheel control
Motor Type		Brushless Motor
Product Net Weight		15.7kg
Battery Type (Suggestion)		2X120AH Deep Cycle Battery
Max Boat Length(Suggestion)		8M

## Electric circuit diagram





Packing List





Denmark



Norway



Sweden